

COOWIN[®] OUTDOOR PERGOLA

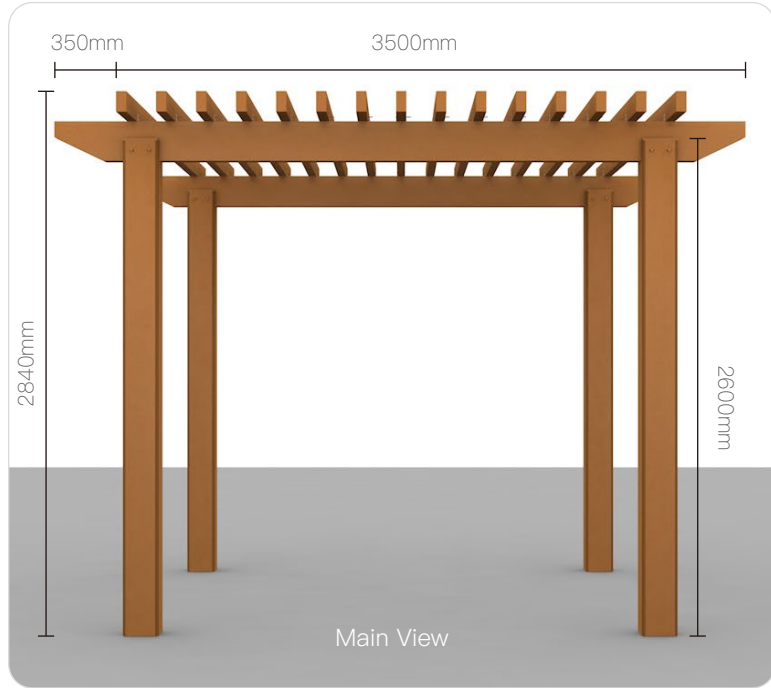


Founded in 2000, COOWIN® has been a well-recognized brand in global WPC market. With years of R&D focus on WPC production and design, COOWIN® occupies leading position among WPC manufacturers. COOWIN® manufacturing facility covers over 100,000 square feet, equipped with R&D lab, professional teams of technicians and designers, and certified by CE, ISO9001:2015, ISO14001:2015.

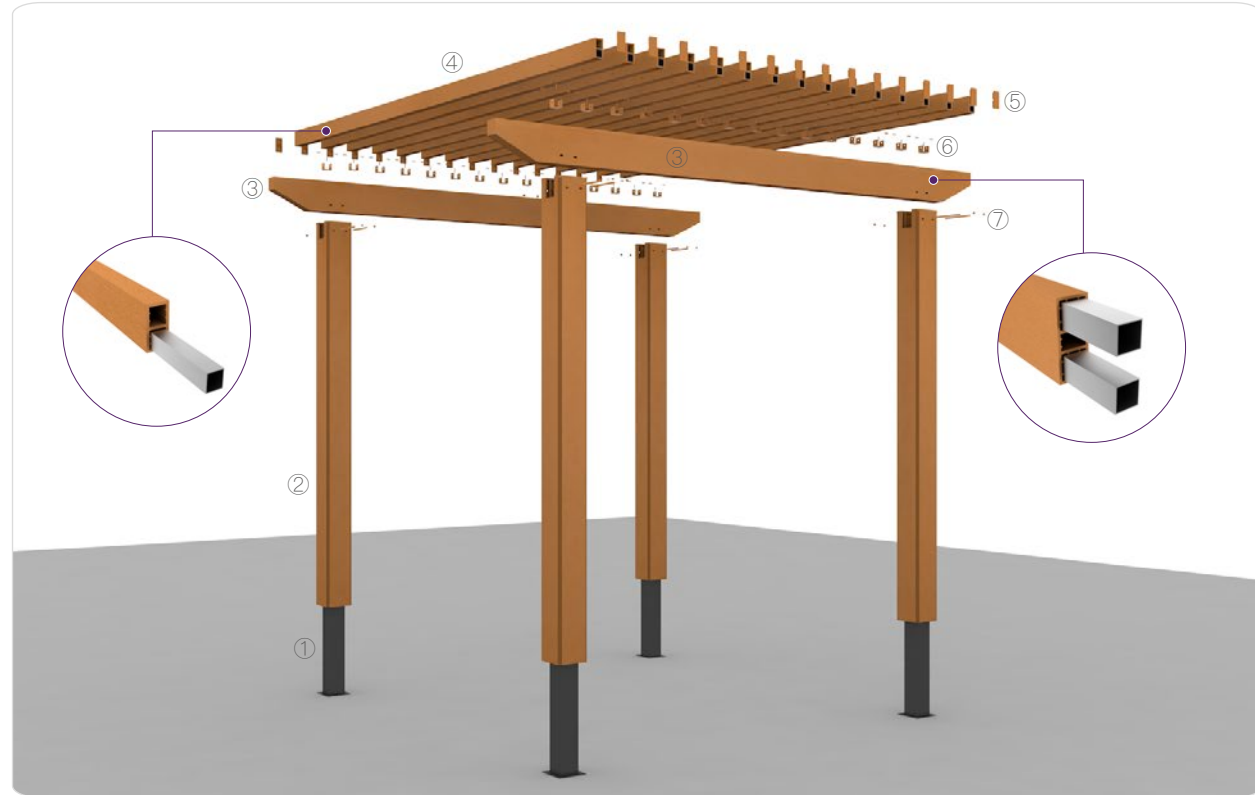
COOWIN® WPC is produced with 100% recycled and FSC approved wood flour and waste plastic by an extrusion process. COOWIN® WPC is a versatile material that combines the traditional appearance of timber with the durability and resilience of an engineered composite, attested by SGS and Intertek.

PERGOLA PG-01

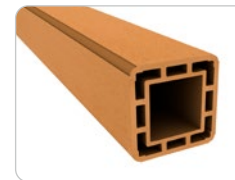
MEASUREMENT



COMPONENTS



① Metal Post
TA-01(100x100mm)



② WPC Post Sleeve
TF-02K(180x180mm)



③ Beam
TH-14B(200x80mm)



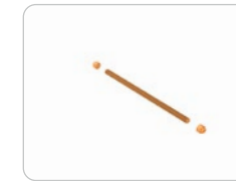
④ Rafter
CT-04(50x100mm)



⑤ End Cap
TE-02(50x100mm)



⑥ U-bracket
40x50mm



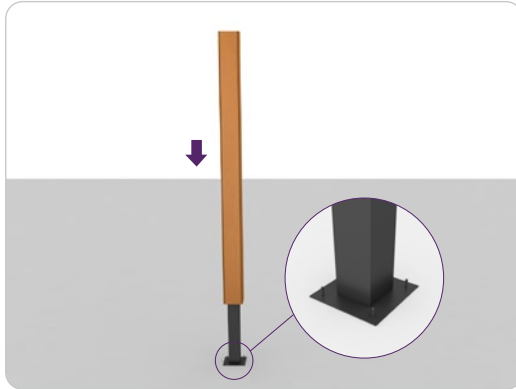
⑦ Fastener
10x200mm



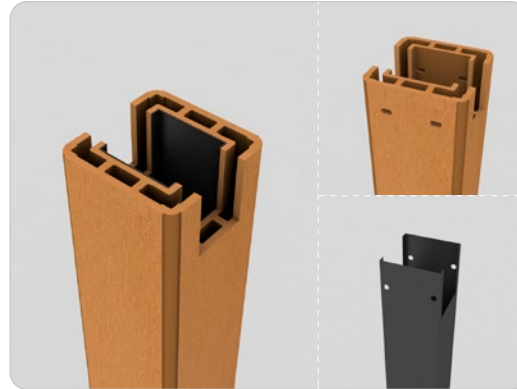
⑧ Post Plug
180x50mm

PERGOLA PG-01

◆ INSTALLATION STEPS

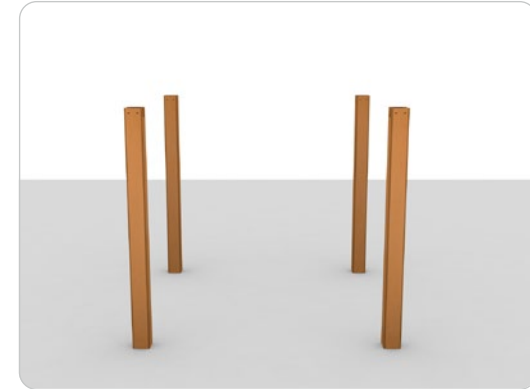


1. Make sure pergolas are to be installed on hard surfaces that are level and sound. Fix metal posts to the ground base with anchor fixings. Slide the post sleeve over the metal post.



2. Cut a notch in the post and post sleeve as shown in the picture. The height should be 80 mm and the length should be 1–2 mm greater than that of the beam. Line all the posts up neatly and cut notches altogether so they match when beams are installed.

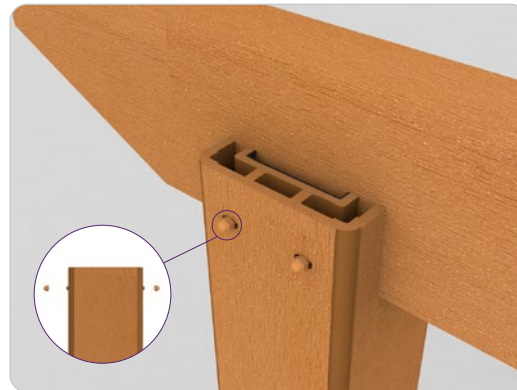
Drill two holes in each post about 30 mm away from the top. Be sure to drill through both the post and post sleeve.



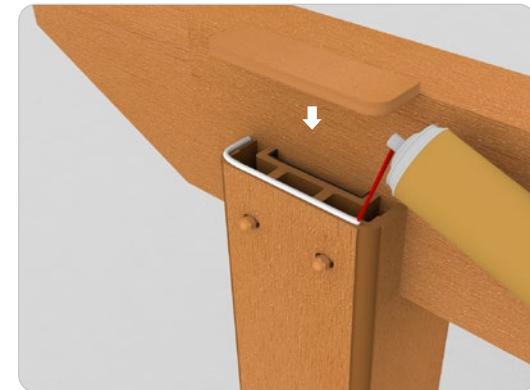
3. Make sure the posts are properly spaced as planned.



4. Drill two holes in the beam about 40 mm away from the bottom, near each end. Hole dimension: 10*30mm. Make sure the holes match those in the posts for later fastening. Note: The width of the hole should be in accordance with the diameter of the fastener.



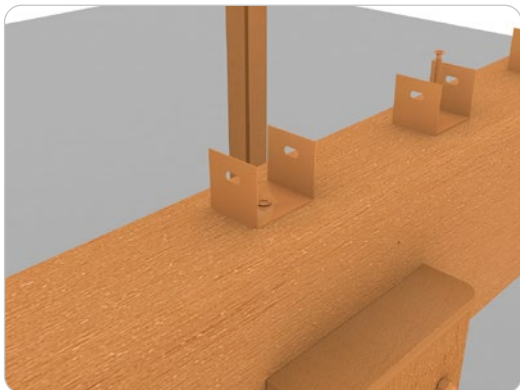
5. Lift and set the beams into the posts. Fix the beams to the posts with fasteners going through all the holes, and make sure there's a 1–3 mm gap between the post and the bottom of the beams.



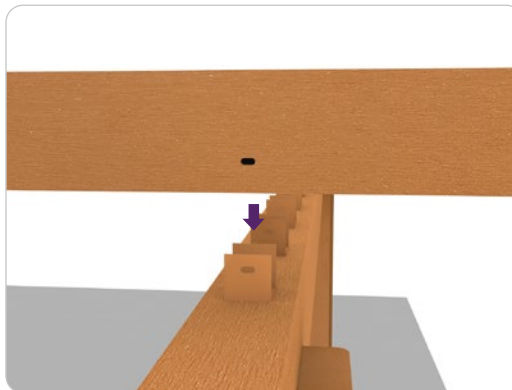
6. Put on post caps and secure them with glue.

PERGOLA PG-01

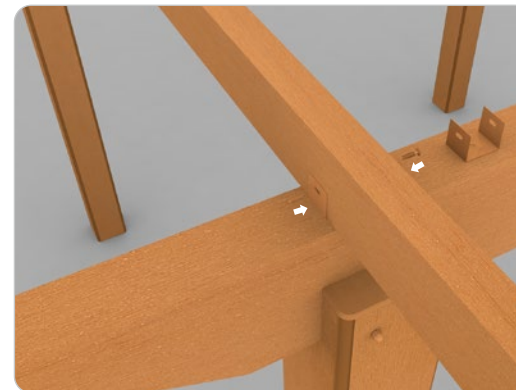
◆ INSTALLATION STEPS



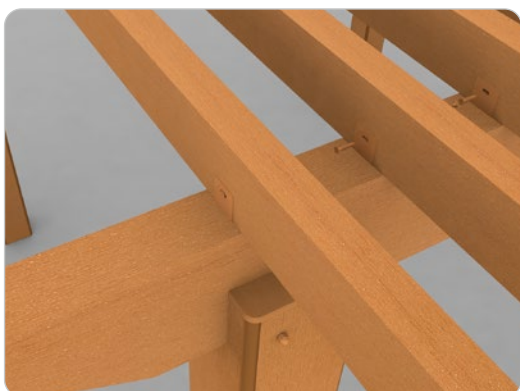
7. Fix U-brackets to the beam with screws. Plan the spacing between U-brackets properly.



8. Drill pilot holes in the rafters and set them into the U-brackets.



9. Secure them with screws.



10. Secure them one by one with screws.



11. Put on end caps.



12. Installation complete.

PERGOLA PG-01

◆ PROJECT CASE



◆ AVAILABLE COLORS



Red Pine



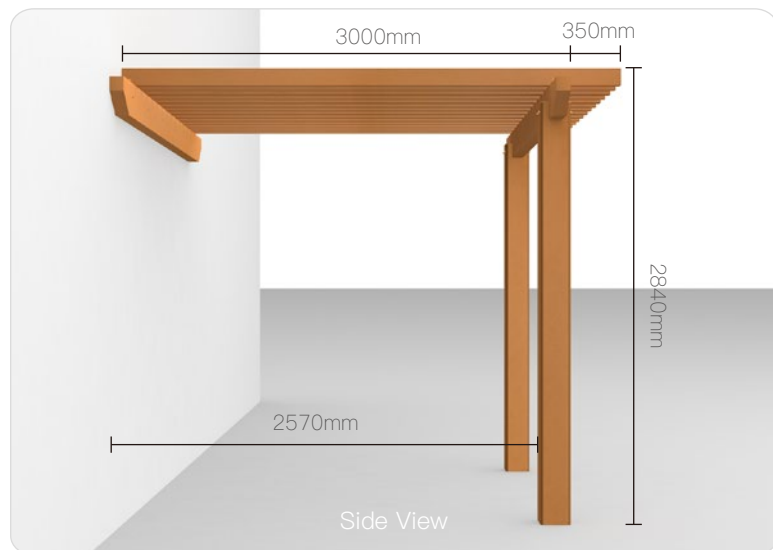
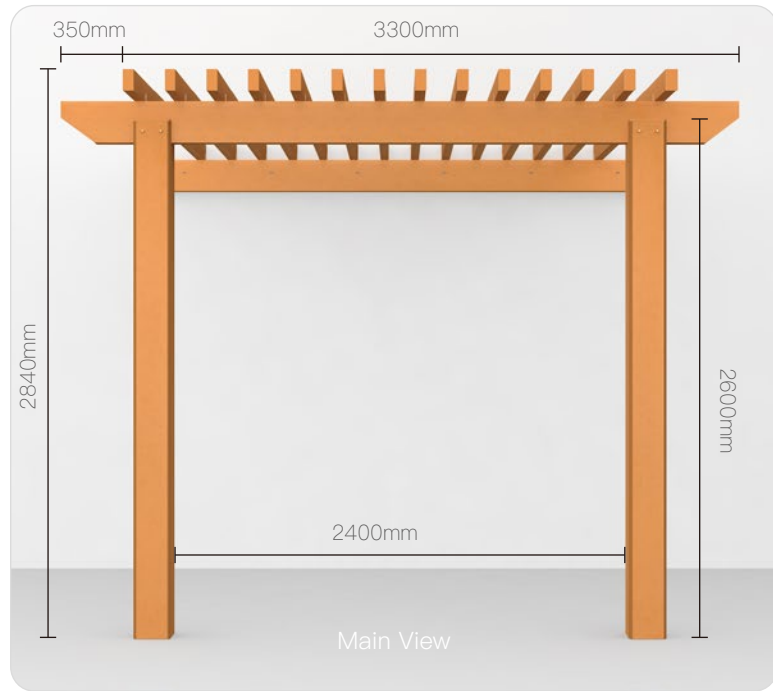
Coffee



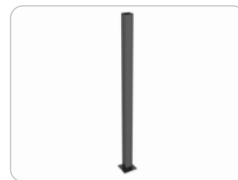
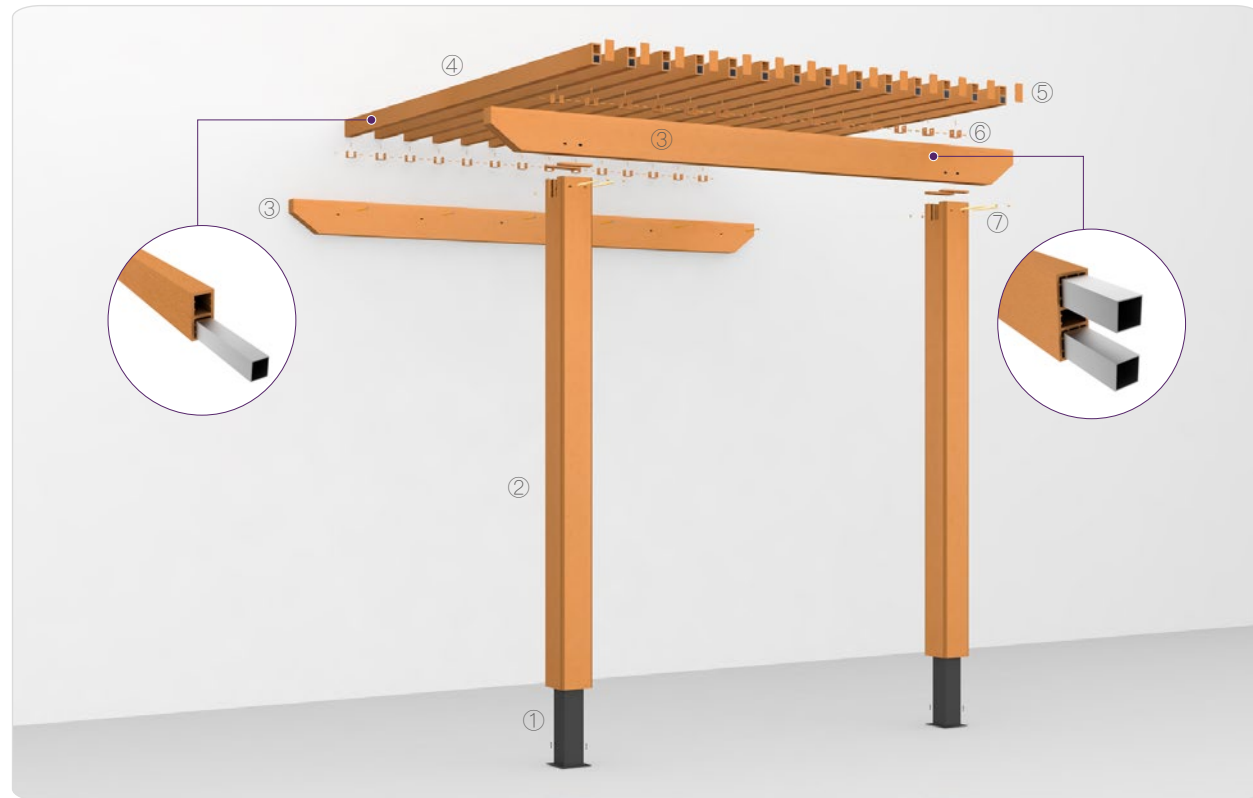
Blue Gray

PERGOLA PG-02

MEASUREMENT



COMPONENTS



① Metal Post
TA-01(100x100mm)



② WPC Post Sleeve
TF-02K(180x180mm)



③ Beam
TH-14B(200x80mm)



④ Rafter
CT-04(50x100mm)



⑤ End Cap
TE-02(50x100mm)



⑥ U-bracket
40x50mm



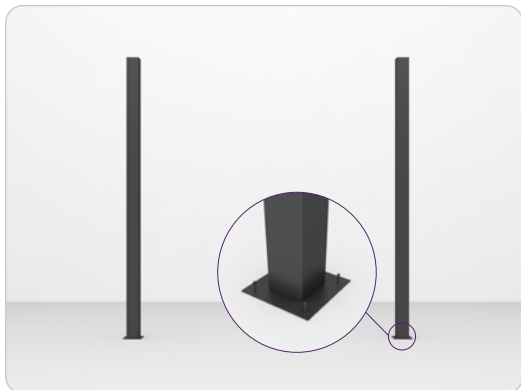
⑦ Fastener
10x200mm



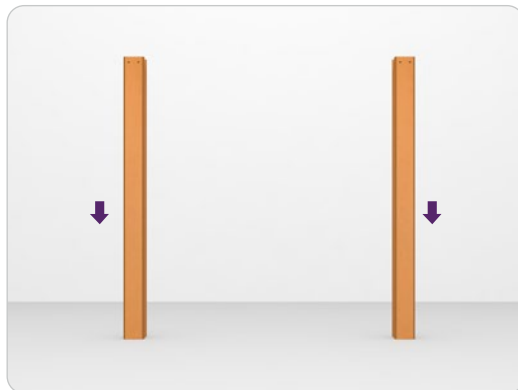
⑧ Post Plug
180x50mm

PERGOLA PG-02

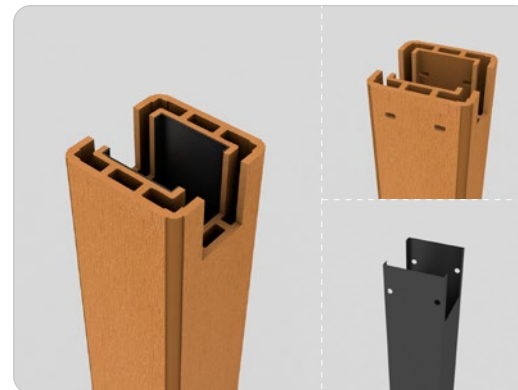
◆ INSTALLATION STEPS



1. Make sure pergolas are to be installed on hard surfaces that are level and sound. Fix metal posts to the ground base with anchor fixings.

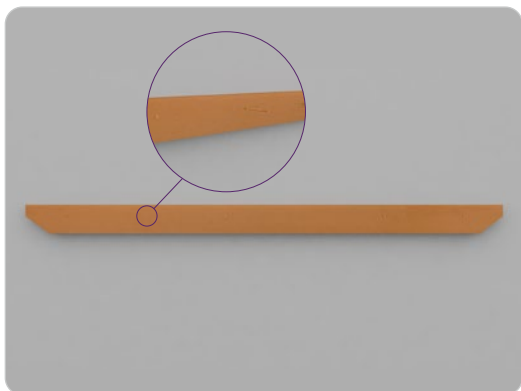


2. Slide the post sleeve over the metal post.

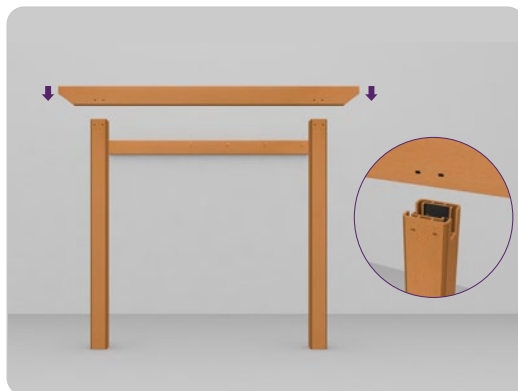


3. Cut a notch in the post and post sleeve as shown in the picture. The height should be 80 mm and the length should be 1–2 mm greater than that of the beam. Line all the posts up neatly and cut notches altogether so they match when beams are installed.

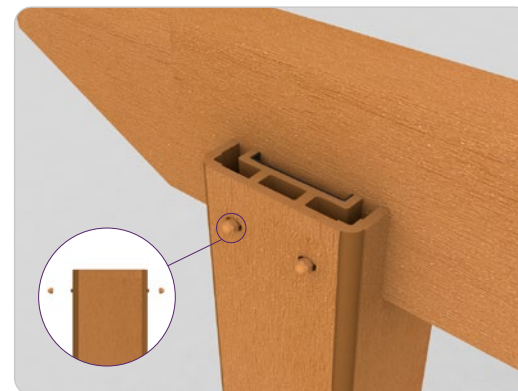
Drill two holes in each post about 30 mm away from the top. Be sure to drill through both the post and post sleeve.



4. Fix a beam to the wall with anchor fixings and make sure the beam fixed to the wall is level with the one set into the post.



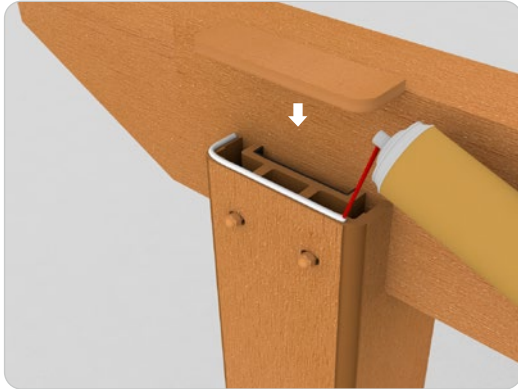
5. Drill two holes in the beam about 40 mm away from the bottom, near each end. Hole dimension: 10*30mm. Make sure the holes match those in the posts for later fastening. Note: The width of the hole should be in accordance with the diameter of the fastener.



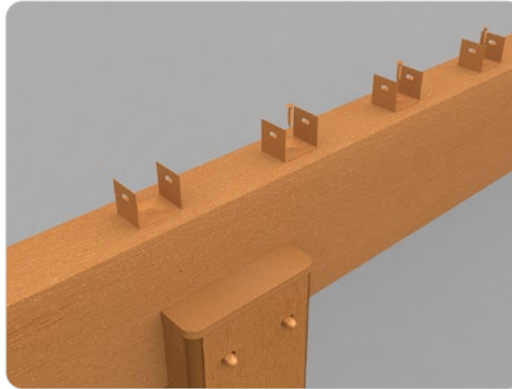
6. Lift and set the beams into the posts. Fix the beams to the posts with fasteners going through all the holes, and make sure there's a 1–3 mm gap between the post and the bottom of the beams.

PERGOLA PG-02

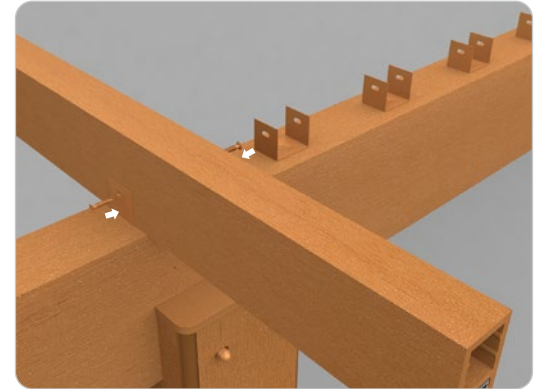
◆ INSTALLATION STEPS



7. Put on post caps and secure them with glue.

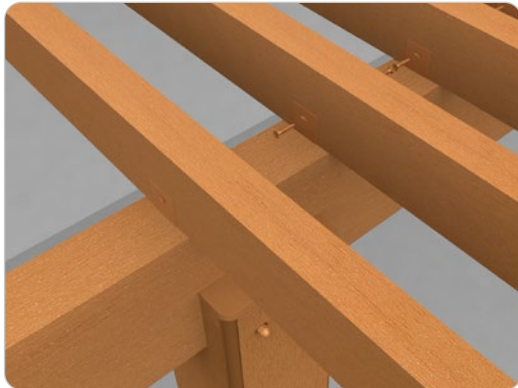


8. Fix U-brackets to the beam with screws. Plan the spacing between U-brackets properly.

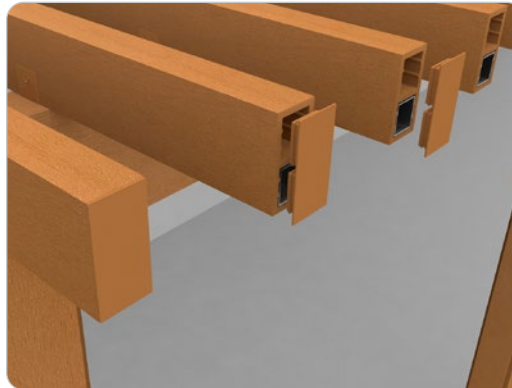


9. Drill pilot holes in the rafters and set them into the U-brackets.

Secure them with screws.



10. Secure them one by one with screws.



11. Put on end caps.



12. Installation complete.

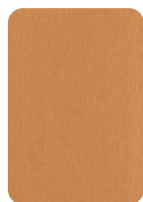
PERGOLA

PERGOLA PG-02

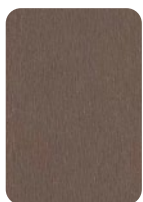
◆ PROJECT CASE



◆ AVAILABLE COLORS



Red Pine



Coffee



Blue Gray



COOWIN® OUTDOOR PERGOLA

Leader · Innovator · Manufacturer